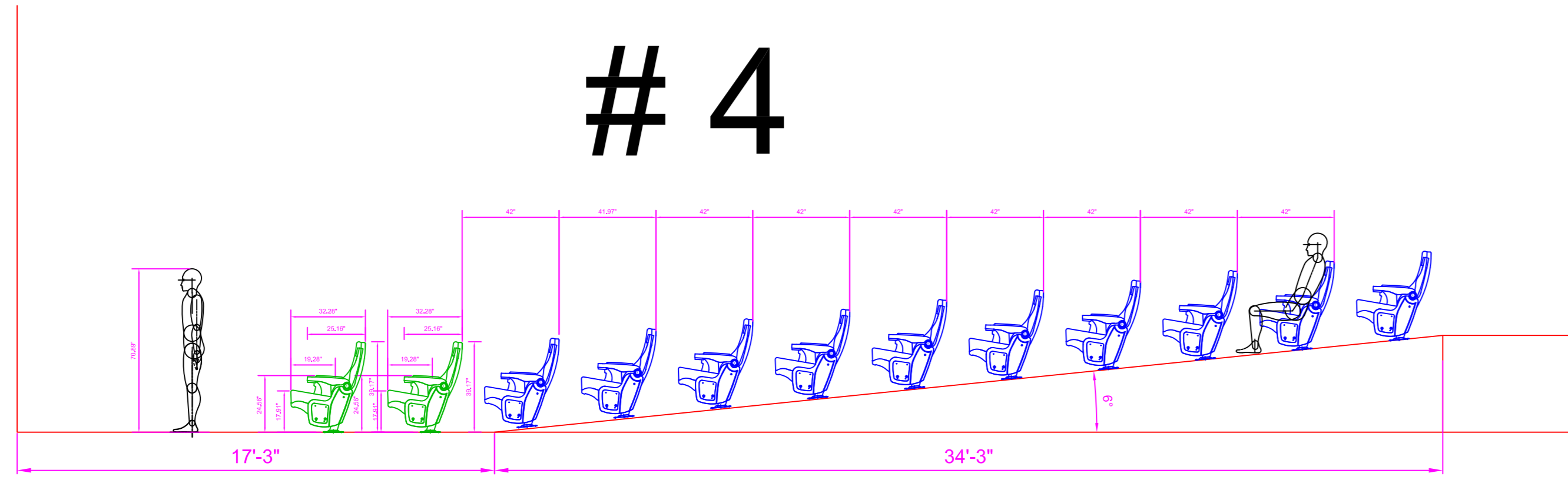
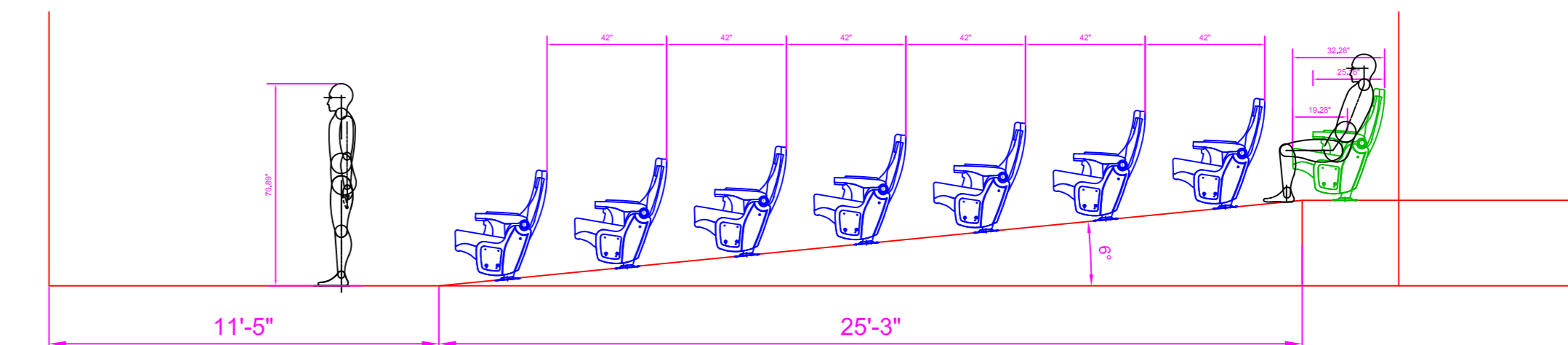


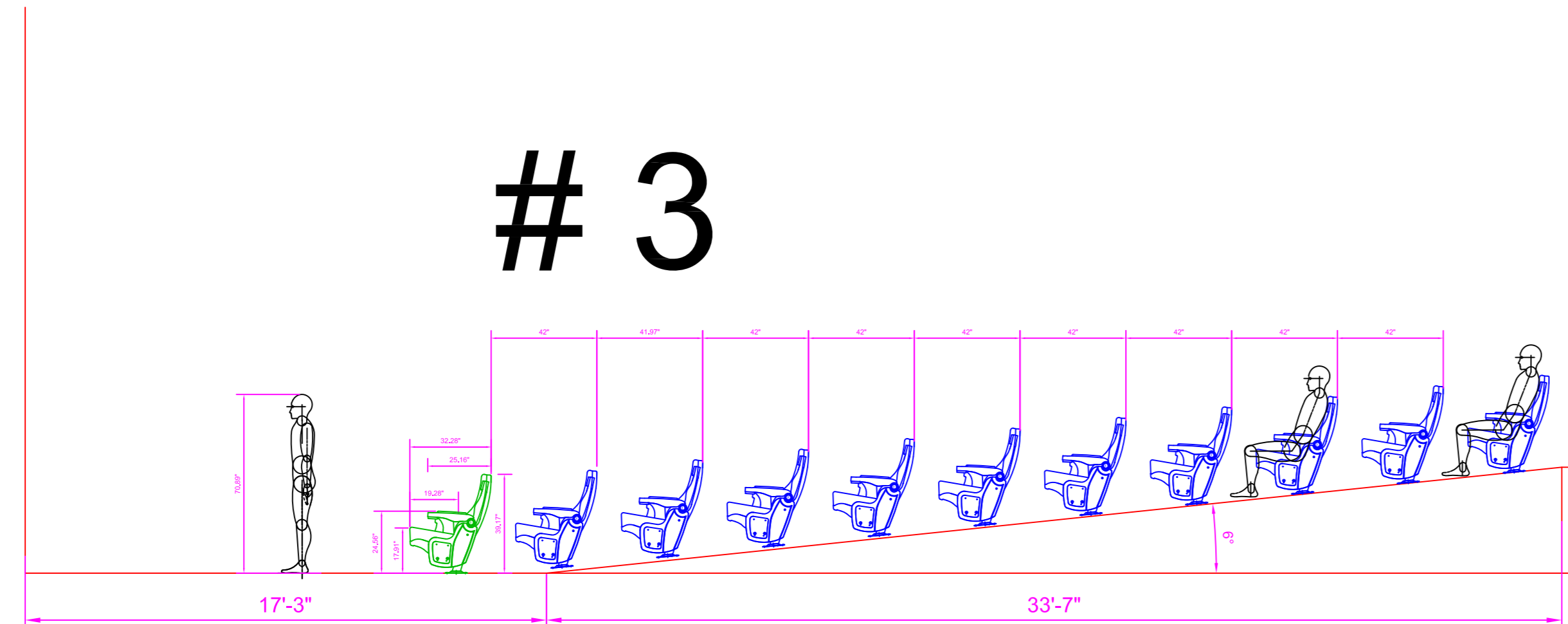
4



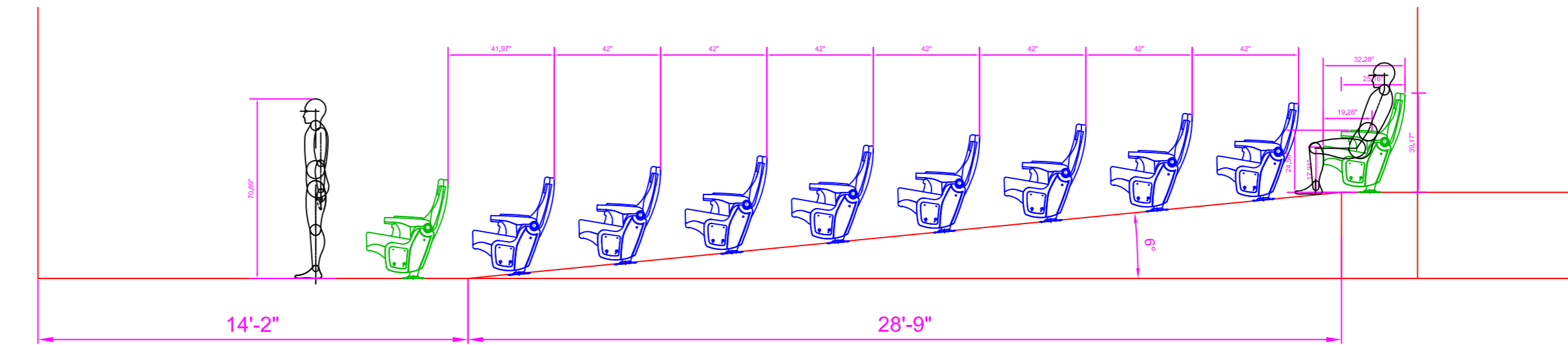
8



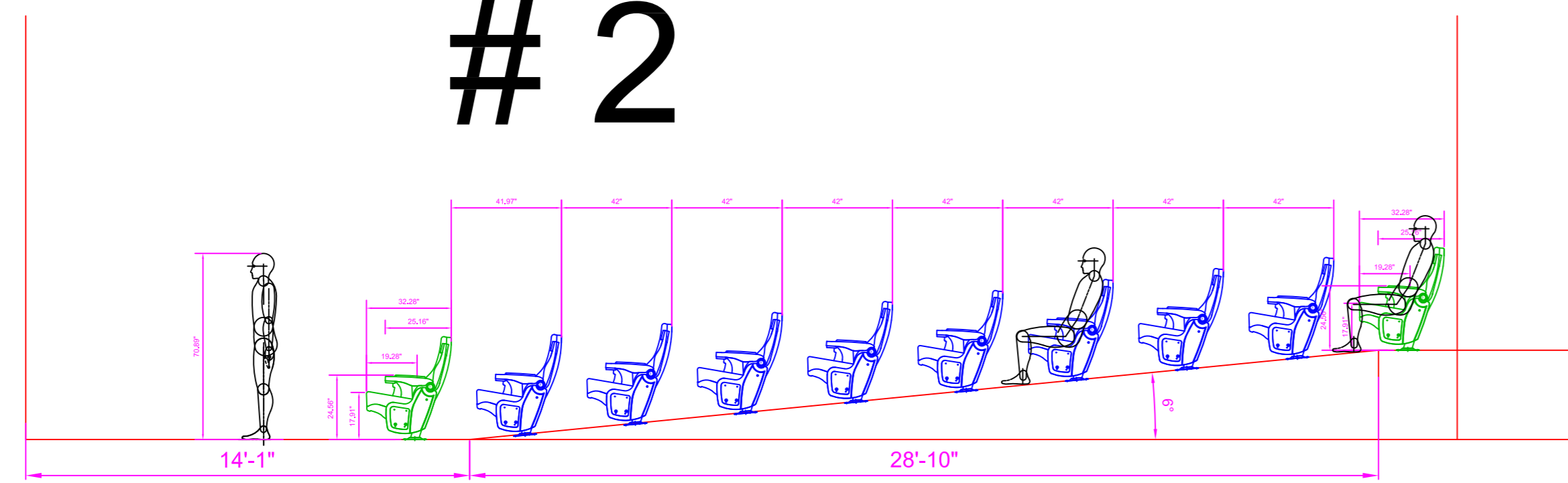
3



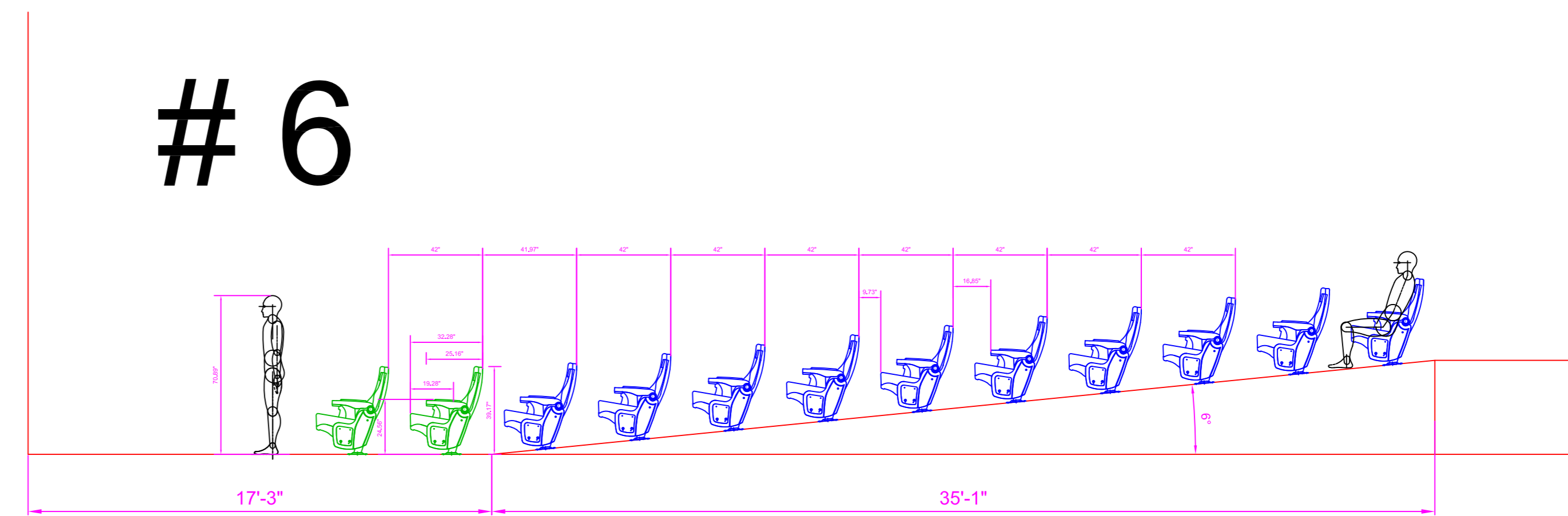
7



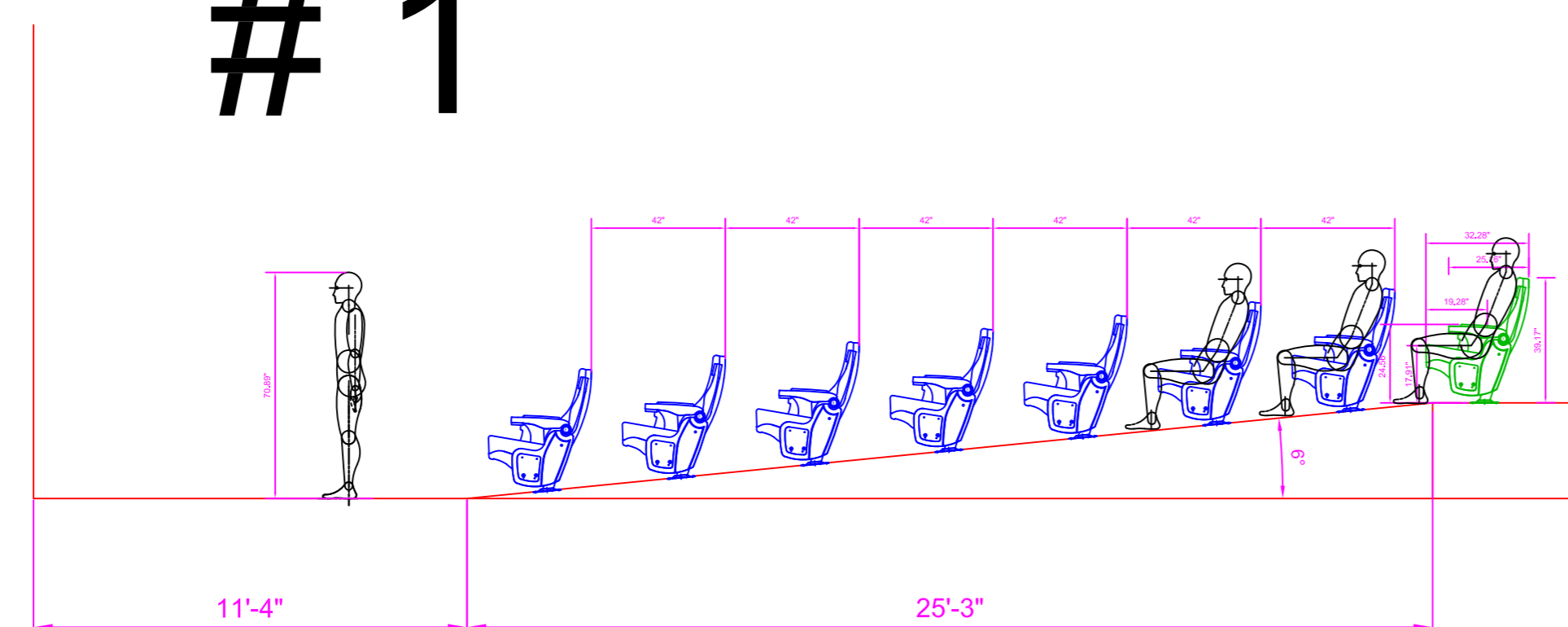
2



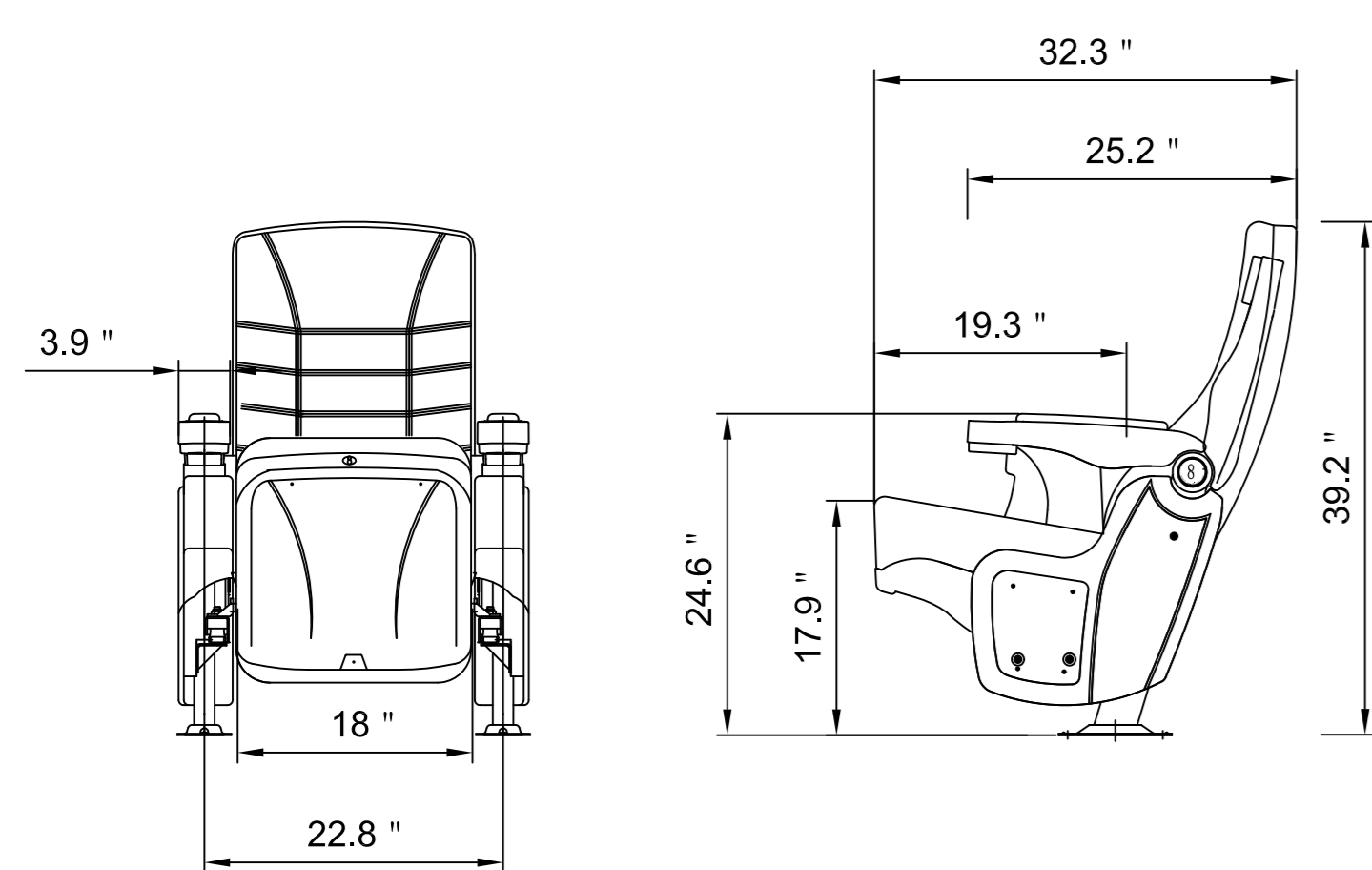
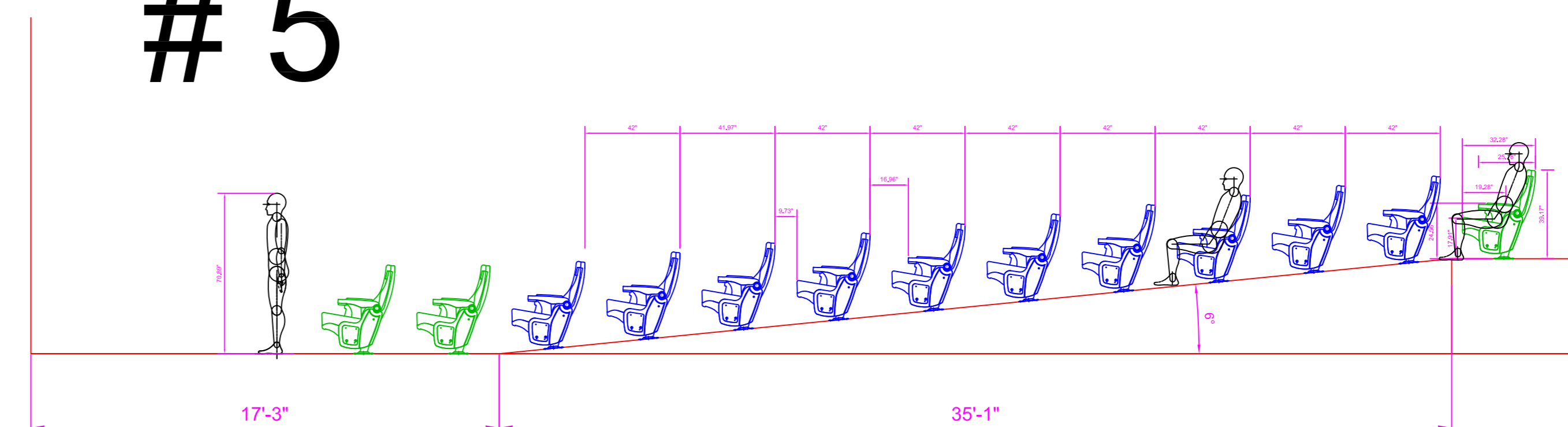
6

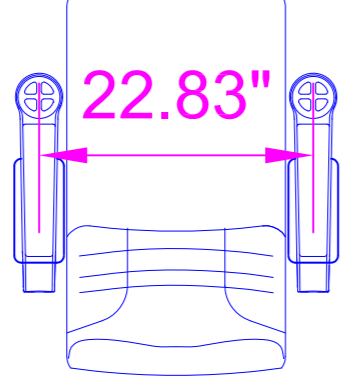


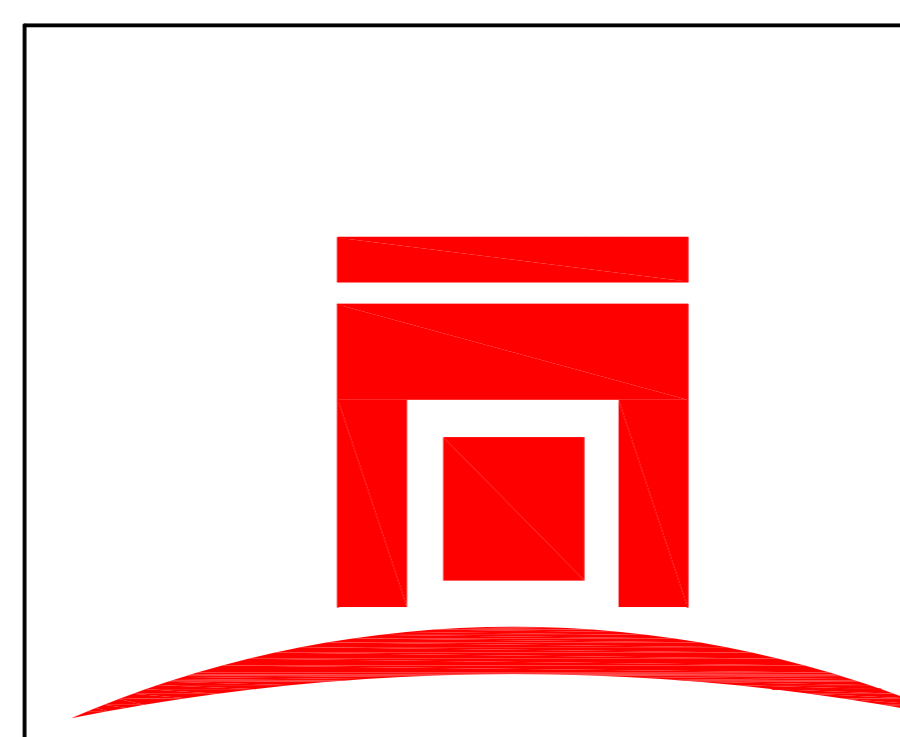
1



5



TOTAL MODEL	# 1	# 2	# 3	# 4	# 5	# 6	# 7	# 8	TOTAL
 22.83"	104	129	188	156	162	150	130	104	1123



PROJECT NAME	Carnival AUD.	FLOOR(S)	1
SEATING RANGE	DOLPHIN SEATING	HALL(S)	8
ITEM NUMBER	STAR	SCALE	1:1
C/C	22.83"	EXECUTION DATE	2012-4-17
SEAT COUNT	1123 SEATS	REVISED DATE	
REMARK			